

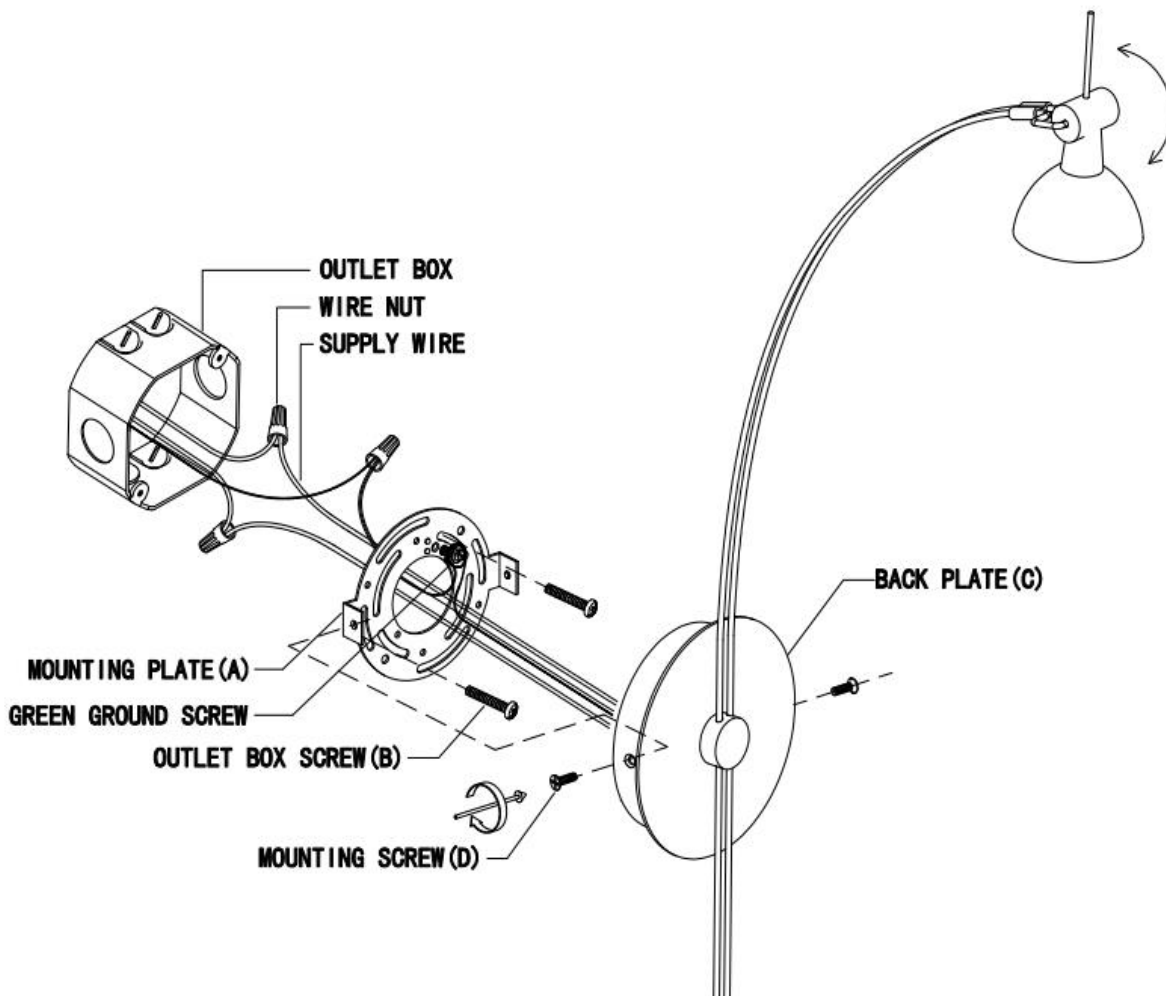
ASSEMBLY AND INSTALLATION INSTRUCTIONS

TO AVOID RISK OF ELECTRICAL SHOCK, BE SURE TO SHUT OFF
WARNING: POWER WHILE INSTALLING OR SERVICING THIS FIXTURE.

NOTE: Before installing, consult local electrical codes for wiring and grounding requirement.

Installation Steps.

1. Attach the mounting plate (A) to the outlet box using 2 outlet box screws (B).
2. Make wire connections :
 - Attach the ground wire to house ground wire using a wire nut.
(Or attach them to the mounting plate (A) with a green ground screw.)
 - Attach white wire from driver to white wire from power source with a wire nut.
 - Attach black wire from driver to black wire from power source with a wire nut.
3. Attach the back plate (C) to mounting plate (A) by using 2 mounting screws (D).
4. Rotate the shade to your desired angle.
5. Turn power on at fuse or circuit box.



#943-XX (FIXTURE)

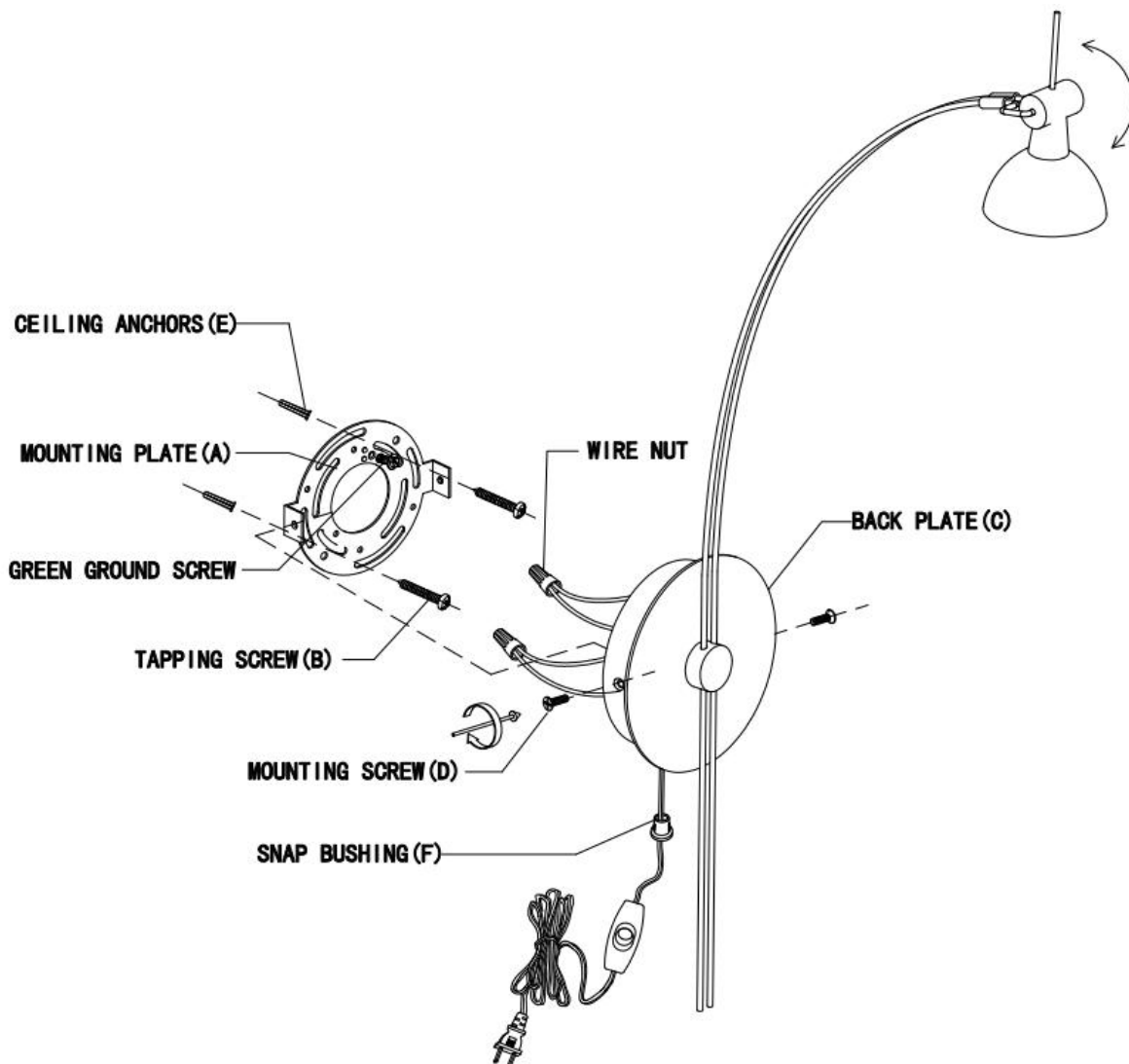
ASSEMBLY AND INSTALLATION INSTRUCTIONS

TO AVOID RISK OF ELECTRICAL SHOCK, BE SURE TO SHUT OFF
WARNING: POWER WHILE INSTALLING OR SERVICING THIS FIXTURE.

NOTE: Before installing, consult local electrical codes for wiring and grounding requirement.

Installation Steps.

1. Mark wall and install wall anchors(E). Attach mounting plate(A) to wall and attach tapping screws(B) to wall anchors for added support.
2. Remove the green ground screw and the plastic hole cover located on the back plate(C).
3. Install snap bushing(F) to hole and thread cord through. Make the UL tie in end of cord.
4. Make wire connections :
 - Attach white wire from driver to ridges wire from cord with a wire nut.
 - Attach black wire from driver to smooth wire from cord with a wire nut.
5. Attach the back plate (C) to mounting plate (A) by using 2 mounting screws (D).
6. Rotate the shade to your desired angle.
7. Plug into the outlet and turn on the on/off switch.



#943-XX (PORTABLE)